

VLX3 Wash

l u m i n a i r e



The VARI***LITE** VLX3 Wash Luminaire is the next step in Vari-Lite's solid-state lighting journey. A step that gives designers one of the most versatile LED lighting tools to meet any demanding production or lighting need – from small to large venues, concert touring, or television studio.

Based on Philips Vari-Lite's award-winning VLX Wash luminaire technology, the VLX3 wash gives you all the benefits of LED technology with the best visual performance characteristics of traditional automated luminaires. Using three powerful LED engines, the VLX3 wash offers stunning colors and intensity, multi-year source life and high reliability. Combined with low energy consumption and maintenance costs, the VARI***LITE** VLX3 wash continues to elevate the bar for all other LED fixtures.

Three, replaceable custom 120 watt RGBW LED chipsets provide output that offers three times the efficacy of comparable tungsten sources. The total system provides approximately greater than 6,000 lumens of white light output, and the 10,000 hour source life of the chip ensures that lamp replacement costs are a thing of the past. The luminaire offers 70% lumen intensity maintenance over that time guarantees that the VLX3 wash will remain powerful and bright well into the future.

With an optical system from the leader in automated lighting, color mixing is smooth, natural, and free of "color shadowing" effects associated with other LED fixtures. Additionally, the VLX3 wash offers a dynamic CRI adjustment, a continuously adjustable color temperature white range between approximately 3000 and 9000 Kelvin, and seamless color mixing that all combine to create a single source that behaves like familiar arc or tungsten luminaires without the associated costs and inefficiencies inherent in those systems.

Beam size control is achieved by the use of an optical zoom system that offers a zoom range from approximately 15 to 55 degrees. Accessory mounting points are included allowing the attachment of additional, aftermarket beam control devices such as an extendible top hat.

All movements are smooth, silent, and accurate under the control of the time-proven Vari-Lite three-phase motor system with a full 540 degrees of pan and 240 degrees of tilt control.

The luminaire offers five-pin DMX in and thru connectors and a backlit menu panel for easy installation and operation. Control is achieved through a variety of DMX consoles and output devices. An optional wireless DMX module supports various wireless DMX formats.

Large, rugged handles insure easy installation, and subdued style and understated lines allow for seamless integration into any lighting rig or stage setting. Pan and tilt transport/service locks and low fixture weight make moving the VLX3 wash as simple and efficient as it is to operate.

The VLX3 wash. Only from Philips Vari-Lite. Accelerating LED lighting even faster.

Programmable Functions

Intensity Control:	Smooth, high resolution dimming control of R, G, B, and W LED's.
Color Mixing System:	Three x 120 watt, replaceable custom RGBW LED chipsets. Each chipset contains high density red, green, blue, and white LED emitters.
Optics:	Beam size control is achieved by the use of an optical zoom system that provides continuously variable field angle from approximately 15° to 55°.
Strobe:	High speed with multiple strobe effects.
Pan and Tilt:	Smooth, time-controlled continuous motion by way of a pair of three-phase stepper motor systems.
Range:	Pan - 540°, Tilt - 240°.
Accuracy:	0.3° resolution.

Description

Source:	Three x 120 watt, replaceable custom RGBW chipsets. Color Temp. White: Variable between approximately 3000 and 9000 Kelvin. CRI: Dynamically adjustable Manufacturer Rated Life: In excess of 10,000 hours. (at full RGBW) Output: Approximately 6,000 lumens (white light).
Power Requirements:	Standard AC power distribution from 100-240VAC, 50/60Hz. The unit requires up to 7A depending on the AC supply voltage.
Operational Temperature:	-20° to 122°F (-29° to 50°C)
Cooling:	Variable forced air cooling.
Control:	Completely compatible with a wide variety of DMX512 lighting control consoles. Optional wireless DMX accessories for Wireless Solutions, Lumen Radio, and City Theatrical.
DMX Channels:	23 channels
Mounting Position:	May be mounted and operated in any orientation.
Spacing:	Hangs on 21.50 inch (54.6 cm) centers.
Weight:	44 lbs. (20.0 kg.)

Ordering Information

Luminaires:	
20.9703.0001	VLX3 Wash Luminaire, Black
20.9703.0001 .02	VLX3 Wash Luminaire, White
Accessories:	
22.9620.0194	Safety Cable Assembly
28.8500.0054	USB Luminaire Programming Kit
28.9687.0100	Wireless Solutions Wireless DMX Receiver for VLX3
28.9687.0101	Lumen Radio Wireless DMX Receiver for VLX3
28.9687.0102	City Theatrical Wireless DMX Receiver for VLX3
55.6840.0001	Truss Hook, Mega-Clamp (For round and square pipe)
55.6841.0001	Truss Hook, Mega-Claw (For 2" round pipe)
PC1BE	AC Input Cable, PowerCon with Bare End (no connector), 1 Meter
PC1GP	AC Input Cable, PowerCon with Stage Pin (Male), 1 Meter
PC1GTL	AC Input Cable, PowerCon with Twist Lock (Male), 1 Meter
PC1GR	AC Input Cable, PowerCon with Edison (Male), 1 Meter



PHILIPS
VARI*LITE****

VLX3 Wash

l u m i n a i r e

Specifications

The unit is an integrally designed, remote-controlled, motorized wash luminaire. The head, yoke, and enclosure housings are constructed of aluminum alloy, plastic and steel for lightweight strength and durability. Virtually silent, variable fans shall be used to provide forced-air cooling for internal components.

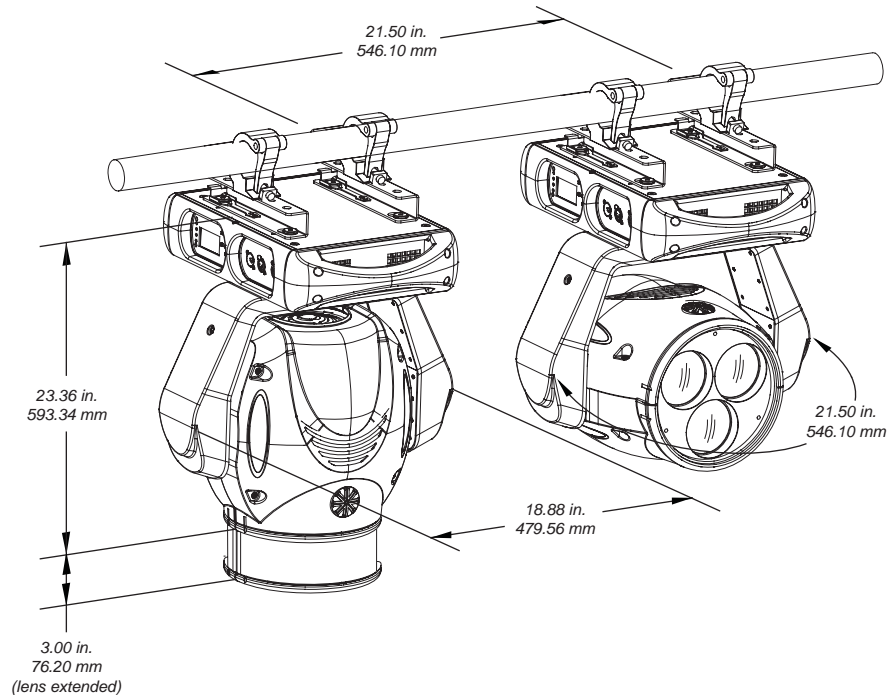
A single AC input connector along with two, five-pin DMX512 compatible connectors (in and through) are provided. The unit can be controlled by a wide variety of DMX512 consoles. In addition, a built-in Master/Slave function enables operation of multiple luminaires without a control console. The unit shall include a wireless DMX accessory mounting location and connection.

Each unit is equipped with multiple on-board processors providing diagnostic and self-calibration functions as well as internal test routines and software update capabilities. The unit contains two independent three-phase stepper motors to provide movement of the head through 540° in the horizontal plane (pan) and 240° in the vertical plane (tilt). The pan and tilt mechanisms are belt-driven, providing positional resolution and repeatability of 0.3° on either axis.

The unit shall include three RGBW LED engines for full-range color mixing and that provides full field dimming - allowing for both smooth timed fades and fast blackouts. The LED engines will operate as a strobe system that is capable of various strobe effects. The unit's optical system shall have a variable beam that offers an adjustable field angle from 15° to 55° and be able to replicate color temperatures from 3000K to 9000K.

The unit is ETL and ETLc certified and CE marked. Exterior finish is black.


Hanging Dimensions



Photometric Data

3 x 120W RGBW LEDs			
Zoom	LED Mode	Field Angle	Lumens
Narrow	RGBW (full)	15°	4,000
Wide	RGBW (full)	55°	6,000

PHILIPS
VARI*LITE

©2012 Philips Group. All rights reserved. Printed in the U.S.A. We reserve the right to change details of design, materials and finishes. Specifications are subject to change without notice. VARI*LITE automated lighting equipment is made in the U.S.A.



Vari-Lite
10911 Petal Street
Dallas, TX 75238
1.877.VARILITE
fax: 214.647.8038
www.vari-lite.com



VLX3 Wash - 072412NA