

Product Specification Sheet

Rama 150 FFT Fresnel 7°- 50°



The Rama 150 FFT Fresnel (1.0kW / 1.2kW, 150mm lens) provides an adjustable cone of light that has a soft edge, easily blended with adjacent beams to provide even illumination.

The Rama 150 FFT Fresnel uses Fast Focus Technology to reduce focus time, another Selecon innovation.

Features

Fast Focus Technology reduces focus time:

Grip and twist for fast/precise pan adjustment

Twist and tilt for fast/precise tilt adjustment

NO TOOLS REQUIRED!

Integrated safety bond rated for the fitting; maximum free length = 670mm.

Adjustable yoke balance point.

'Swing-down' door for easy access to lamp or cleaning. Disconnects the mains power supply on opening.

Smooth 'posi-slide' focus system, no metal to metal contact.

Constructed of aluminium extrusion and moulded engineering plastics.

Cooler operation due to use of engineering plastics on front (colour frame mount) and rear of luminaire.

Heat-insulated rear grab-handle which doubles as handy storage for the 1m cable length.

Pan, tilt and focus scales are in real degrees allowing for accurate WSIWYG implementation.

Lamps: 220V-240V

T/29 1200W
27,600 lumens 400 hours average life

CP90 1200W
30,000 lumens 200 hours average life

T/11 T/19 1000W
21,500 lumens 750 hours average life

CP70 1000W
25,000 lumens 200 hours average life

Order Codes

16RAFR150FT
Rama 150 Fresnel - GX9.5 lamp base
FFT yoke

16RAFR150G22FT
Rama 150 Fresnel - G22 lamp base
FFT yoke

20BDSF12
Rama barndoor

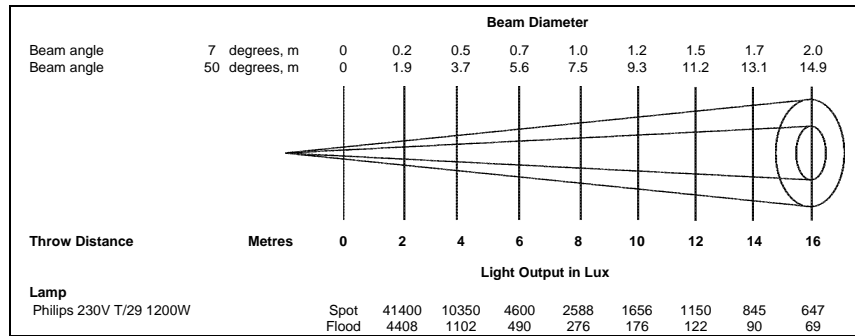
20SM6
Rama lens safety mesh

Approvals

Compliant to CE standards.

Photometric Data

Tests conducted using a standard T29, 1200W, 230V lamp.
Peak candela at 7° - 165,600 Peak candela at 50° - 17,640



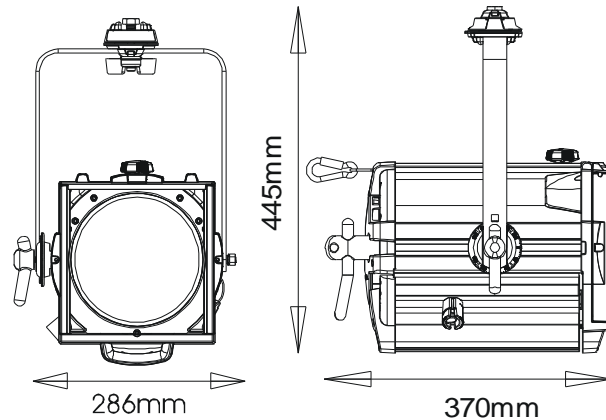
Physical Data

Weight: 5.6kg

Packed weight: 6.5kg

Colour frame size: 186mm x 190mm

Included: 1x colour frame & instruction leaflet.



Philips Selecon reserves the right to change the specifications without notice (October 2011).