



PLFRESNEL1 LED Luminaire

PLFRESNEL1 LED Luminaire

The PLFRESNEL1 LED Luminaire is a general purpose lighting fixture for theatre, small studio, and display lighting applications. It produces an adjustable cone of light with a soft edge which is easily blended with adjacent beams to provide even illumination. Using LED source technology combined with a traditional Fresnel lens, the PLFRESNEL1 LED Luminaire delivers Philips Selecon’s industry benchmark quality without the compromising performance of spreader lenses.

A key benefit of the PLFRESNEL1 LED Luminaire is that it is no longer necessary to change lamps or color filters. Combining the superior control and light quality of a Philips Selecon Fresnel with seamless fading between colors allows designers a new level of creativity. Less power consumption and no dimmer circuits makes the PLFRESNEL1 LED Luminaire the obvious choice for any stage lighting need.

Features

- Delivers the performance of a 500 watt fresnel fixture with a maximum power consumption of 150 watts
- Variable beam angle from 15 to 54 degrees
- Infinite color choice from the RGBW engine and supporting color temperatures from 2700K to 5600K in white
- Homogenized fully mixed color output light, no multiple color shadows
- Ten’s of thousands of hours of life expectancy
- Quick selection of Warm White, Cool White, and Daylight
- User defined on board presets states available to record your color composition
- Color presets simplifies matching existing light sources
- Constant color balance down to very low light levels irrespective of intensity setting
- DMX512 Input/Output with 8 or 16-bit resolution or a simple 3-channel control
- On-board LCD menu for ease of luminaire set up and addressing
- No ultra-violet (wavelengths of less than 400nm) – for UVA, B or C or the Infrared spectrum (wavelengths of more than 775nm)
- Luminaire color: black
- Electronic universal power supply 100-240VAC
- PowerCon In and Through connectors
- Electronic power supply; ETL / cETL approved and CE marked



SPECIFICATION SUBMITTAL

CONSULTANT: <input type="text"/>	PROJECT NAME: <input type="text"/>	MODEL NUMBER QUANTITY: <input type="text"/> <input type="text"/> <input type="text"/> <input type="text"/> <input type="text"/> <input type="text"/> <input type="text"/> <input type="text"/>
DATE: <input type="text"/>	PROJECT NUMBER: <input type="text"/>	APPROVED BY: <input type="text"/>



PLFRESNEL1 LED Luminaire

Advanced Control

The PLFRESNEL1 LED luminaire has an on-board LCD menu system for luminaire setup, control, and addressing. The menu system is extremely user-friendly and offers all configuration options with a few button presses.

Console Control

All PLFRESNEL1 luminaires support DMX512 control with a choice of 8 or 16 bit control resolution or simple 3-channel control. With the increased development of LED luminaires like PL1 and PLPROFILE1 with 4 or more colors additional control is needed for intuitive operation. All Strand Lighting Palette family controls now support extended color control and color temperature control to simplify programming and luminaire color matching.

PLFRESNEL1 LED Engine

The PLFRESNEL1 luminaire's powerful LED engines offer exceptional performance and life. Under normal operating conditions our LED engine has a potential life expectancy of up to 50,000 hours, however under worst case operating conditions with the luminaire set to continuous full output it is possible that a small percentage of LEDs may require replacement sooner. The Philips Selecon three-year limited warranty includes our guarantee against premature failure of the LED engine.

The PLFRESNEL1 luminaire uses the same proven LED engine as the Philips Selecon PL3, PL1, PLCYC1, PLPROFILE1 and the Philips Vari-Lite VLX luminaires meaning the color experience is simplified across the stage.

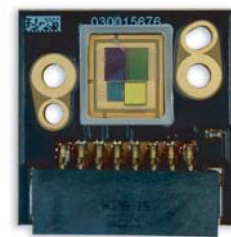


PLFRESNEL1 Luminaire Advanced Control

- ① LCD Menu Display
- ② Local controls offer the ability to access preset color temperatures; locally stored custom presets adjust intensity; colors and motorized focus.



Strand Lighting Light Palette VL



PLFRESNEL1 Luminaire LED Engine



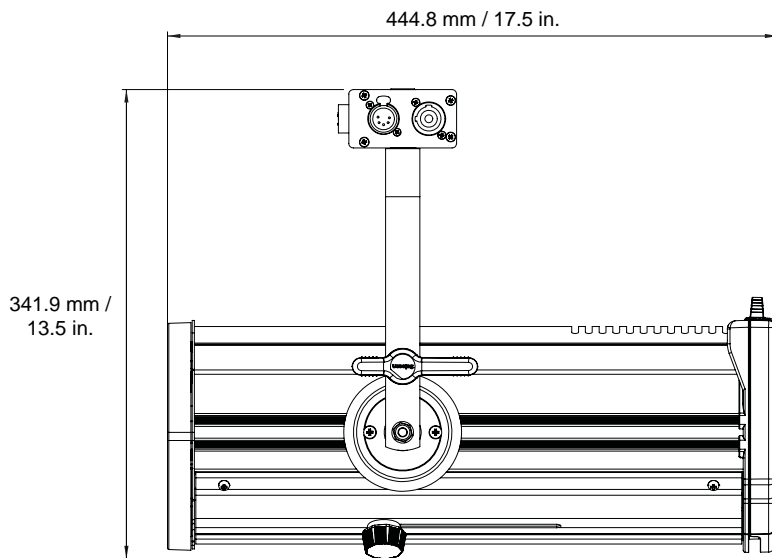
Technical Specifications

Electrical Specifications		Mechanical Specifications	
Source:	1 Each, True RGBW 120W LED chip	Construction:	Machined aluminum, sheet metal, and molded engineering grade plastic components
Operating Voltages:	120 to 240 Volts AC (auto-ranging)	Color:	Black
Frequency:	50/60 Hz	Weight:	12.3 lbs / 5.6 kg (luminaire only)
Current Draw:	1.3 Amps (115V) / 0.65 Amps (230V) - Maximum load with all LEDs at full RGBW	Optical Specifications	
Power Consumption:	150 Watts (max., RGBW at 100%)	Output:	> 2,000 lumens (white light)
Ambient Temperature:	0° to 40°C (32° to 104°F)	Beam Angle:	15 to 54 Degrees (user adjustable)
Control:	On-Board Menu / DMX512		
DMX512 Channels:	15 Channels (16-Bit Mode) 9 Channels (8-Bit Mode) 3 Channels (3-Channel Mode)		
Standards Compliance:	ETL/cETL Listed and CE Marked		

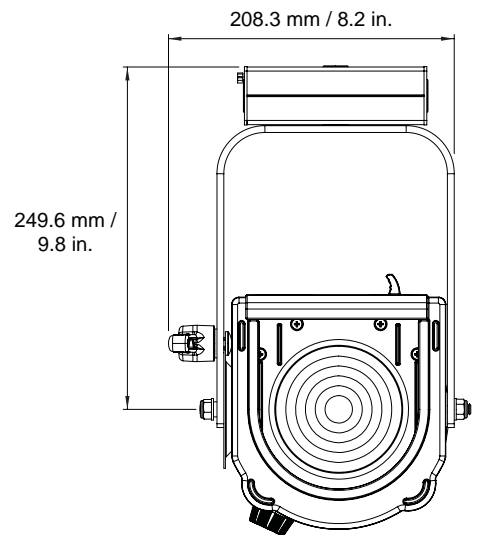


Dimensions

Side View



Front View





Infinite color choices from the RGBW engine and supporting color temperatures from 2700K to 5600K in white.

Note, unit shown with optional barndoor accessory.

Ordering Information

Cat No. Description

PLFRESNEL1 LED Luminaires		Accessories - AC Power Input Cables	
PLFR1-03	PLFRESNEL1 LED Luminaire, 15-54 Degree Fresnel, Black, with Top Box (Interconnect) Assembly, SC C-Clamp, Safety Cable, and AC Input Cable*	PC1BE	PLFRESNEL1 Luminaire AC Power Input Cable (39 inches / 1 meter), Powercon without AC connector (bare end)
		PC1GP	PLFRESNEL1 Luminaire AC Power Input Cable (39 inches / 1 meter), Powercon with Stagepin Connector
		PC1GTL	PLFRESNEL1 Luminaire AC Power Input Cable (39 inches / 1 meter), Powercon with Twistlock Connector
		PC1GR	PLFRESNEL1 Luminaire AC Power Input Cable (39 inches / 1 meter), Powercon with Edison Connector
*Specify AC input connector at time of ordering (GR - Edison / GP - Grounded Stagepin / GTL - Twistlock).		Accessories - AC Interconnect Cables	
Accessories - Barndoors		PC3PC	PLFRESNEL1 Luminaire PowerCon Male to PowerCon Female 2.5 Meter Cable for interconnection between units
20BDMF	Acclaim Fresnel Barndoor, 4-Way, Black	Accessories - Luminaire Software Uploader Cable	
Accessories - Clamps		PLUPLD	USB Luminaire Software Programming Kit (for updating or reloading luminaire software only) - includes USB to DMX Dongle, Uploader Program, and Carry Bag
SC MC	Selecon Molded Yoke Rated C-Clamp Mega Claw, Black Anodized		
Accessories - Top Box Assembly			
PLICB	Spare Top Box (Interconnect) Assembly		

Philips Selecon

Dallas
10911 Petal Street
Dallas, TX 75238
Tel: +1 (214) 647-7880
Fax: +1 (214) 647-8031

New York
267 5th Ave, 4th Floor
New York, NY 10016
Tel: +1 (212) 213-8219
Fax: +1 (212) 532-2593

www.seleconlight.com
© Philips Group 2013
All rights reserved.
The Company reserves the right to make any variation in design or construction to the equipment described. E&OE

Auckland
19-21 Kawana Street
Northcote, Auckland 0627
New Zealand
Tel: + 64 9 481 0100
Fax: + 64 9 481 0101

Asia
Unit C, 14/F,
Roxy Industrial Centre
No. 41-49 Kwai Cheong Road
Kwai Chung, N.T., Hong Kong
Tel: +852 2796 9786
Fax: +852 2798 6545

Europe
European Service & Distribution Centre
Rondweg zuid 85
Winterswijk 7102 JD
the Netherlands
Tel: +31 (0) 543-542516

