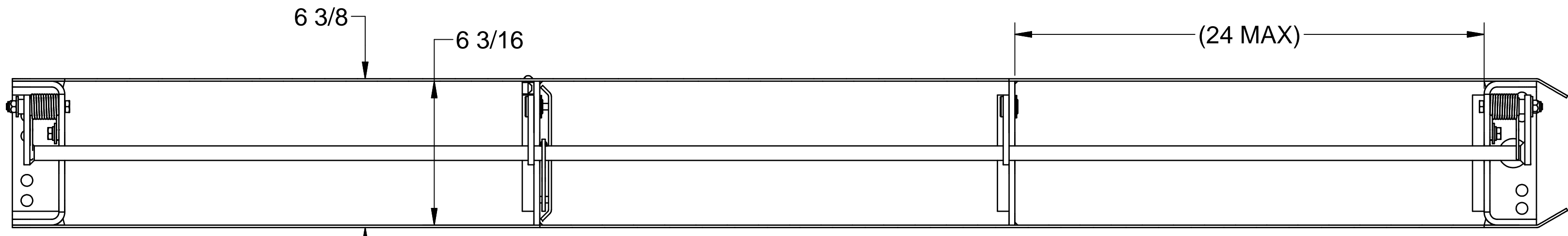
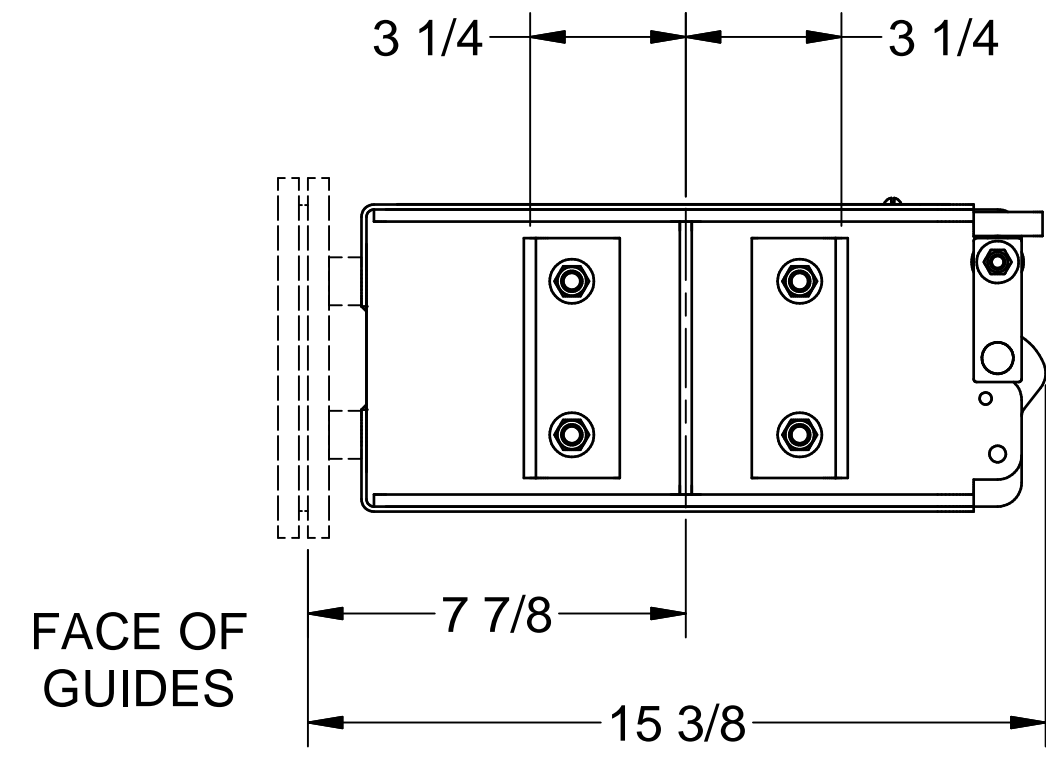
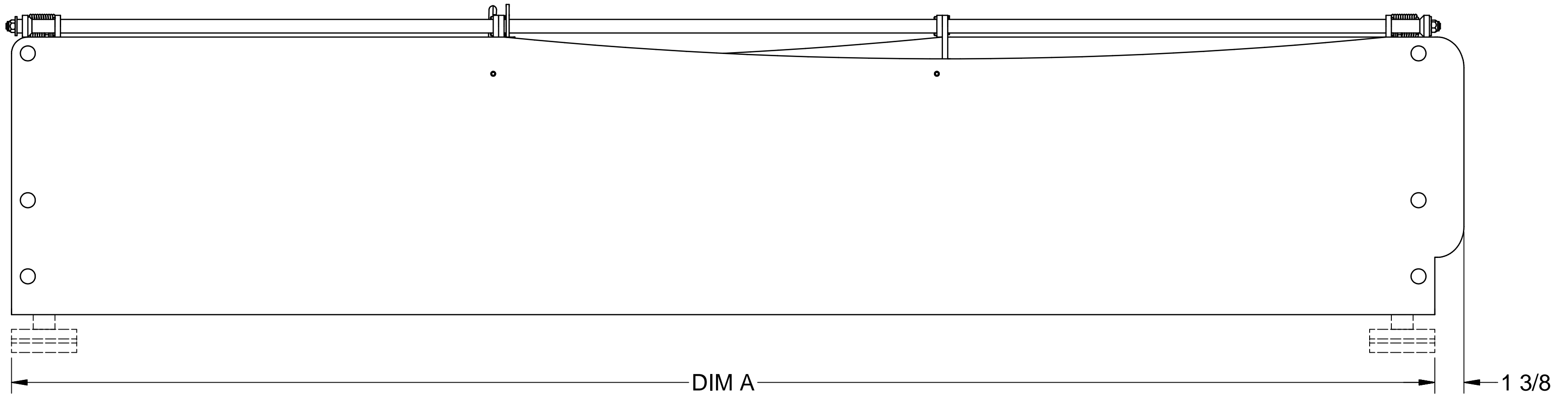


8 7 6 5 4 3 2 1



FL6-12SP1 SHOWN

	FL6-08	FL6-12	FL6-18	FL6-24
ARBOR WEIGHT - LBS.	74	101	135	164
BRICK WEIGHT	782	1238	1825	2324
GROSS WEIGHT	856	1339	1960	2488
DIM A - INCHES	43.0	65.5	93.5	117.5



NOT FOR CONSTRUCTION

THIS PRINT IS THE PROPERTY OF TERN AND MUST NOT BE REPRODUCED EITHER IN FULL OR IN PART WITHOUT WRITTEN APPROVAL BY TERN.

TSE TERN STAGE EQUIPMENT 5712 INDUSTRIAL PARK ROAD WINONA, MN 55987 PHONE 1-800-553-2204 FAX 1-507-454-5282

DESCRIPTION: **BRICKHOUSE ARBOR**

MODEL: **FL6-SP1 SERIES**

DRAWING NUMBER: **D3502**

SCALE: **NTS**

WEIGHT: **N/A**

DATE: **11/4/2009**

DRAWN BY: **JCA**

REVISION: **SHEET 1 OF 1**

TOLERANCES UNLESS SPECIFIED: FRAC. ± 1" ANGLE ± 5° DO NOT SCALE DRAWING

8 7 6 5 4 3 2 1