

# BRICKHOUSE ROPE LOCK

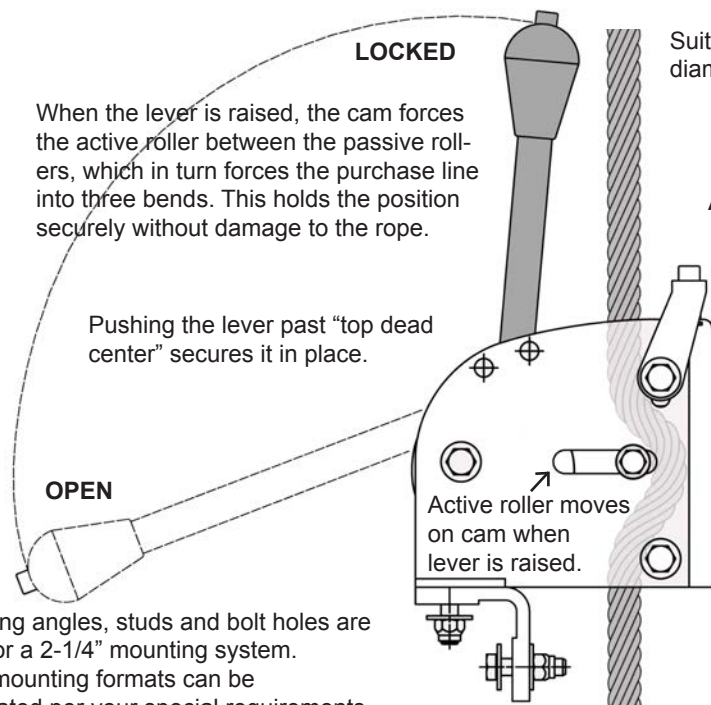
**TSE THERN**  
STAGE EQUIPMENT

For Use with the Brickhouse  
Counterweight Rigging System

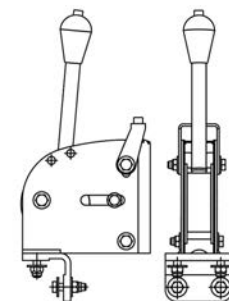
**BRICKHOUSE**

## Product Features:

- **Suitable** for purchase line diameters of 5/8 inch to 1 inch.
- **Simple Design** eliminates need for locking rings.
- **Unique Holding Mechanism** bends the rope between rollers to eliminate crimping and stress points, extending rope and component life.
- **Lever Action** provides easy, quiet, one hand operation of rope lock. Thumb button located on top of the lever allows for easy disengagement of the passive lock.
- **Passive Locking Device** engages and holds line securely when lever is pushed past “top dead center” position.
- **Mounting Angles**, studs and bolt holes are designed for 2 ¼ inch mounting system. Additional mounting formats can be accommodated by request.
- **Corrosion Resistant Finish.**
- **Two-Year Limited Warranty**



Suitable for purchase line diameters of 5/8” to 1”.



The mounting angles, studs and bolt holes are produced for a 2-1/4” mounting system. Additional mounting formats can be accommodated per your special requirements.

The Brickhouse Rope Lock comes with a standard black knob. Other colors are available to facilitate color coding of the line sets. Other options also available, including shorter handles and special finishes.